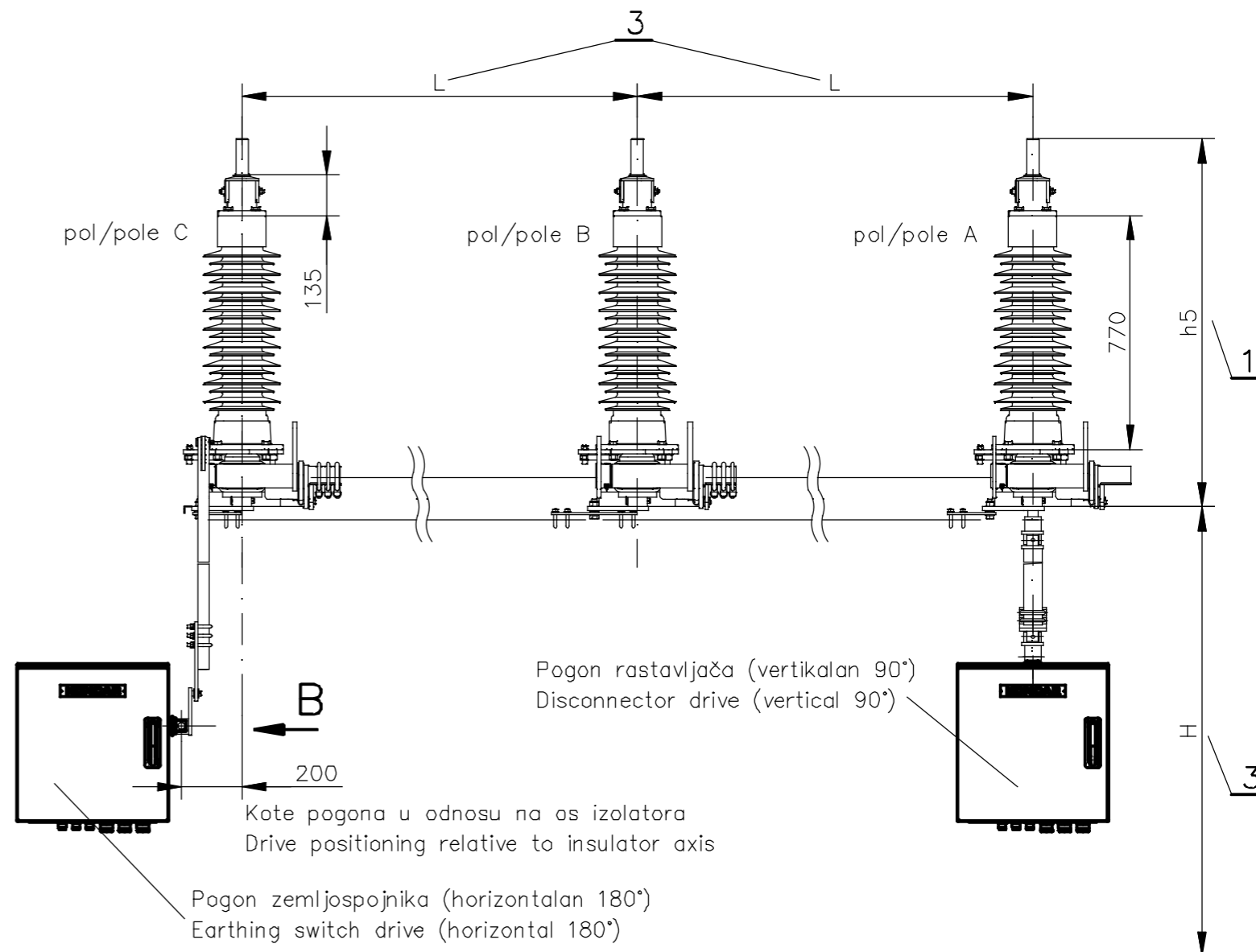
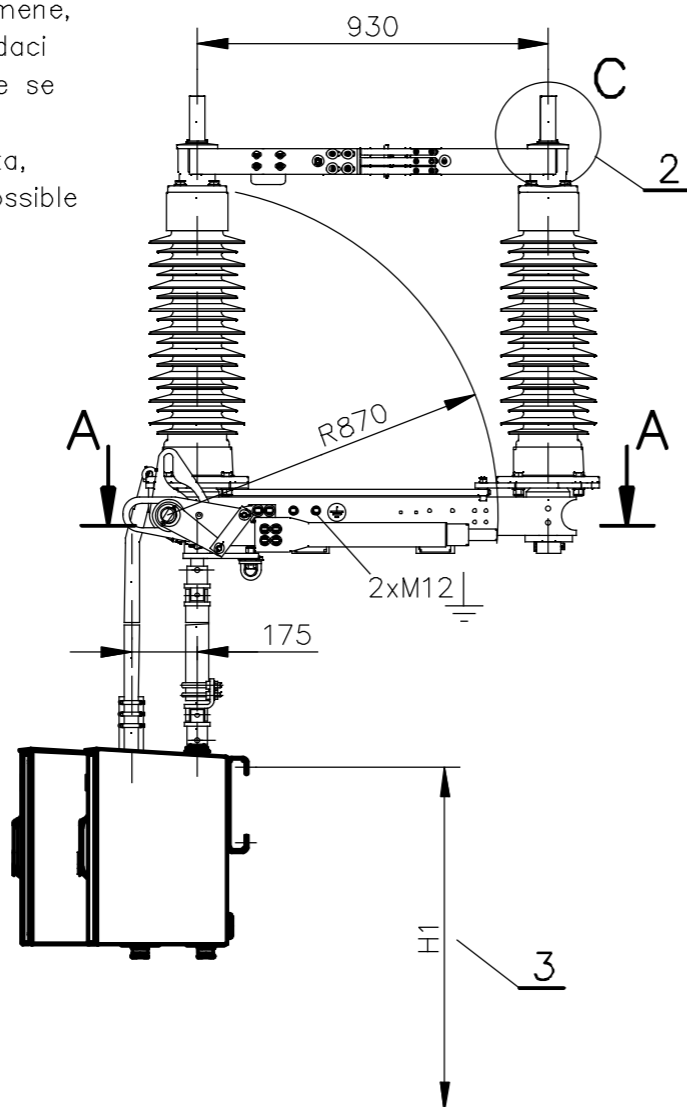
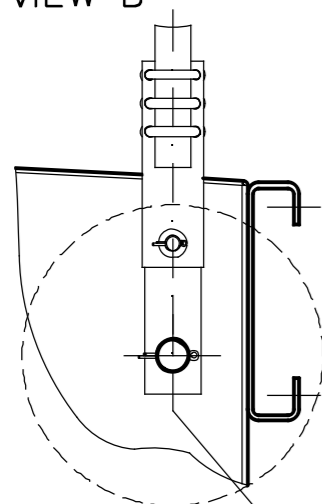


This document remains the exclusive property of the KONČAR – SWITCHGEAR Inc. Reproduction or any use not in conformity with the intended application is not permissible.

Sve brojčano pozicionirane napomene, nazivne vrijednosti, legenda i podaci o mogućim VN priključcima nalaze se na listu 2.  
All numbered remarks, rated data, legend and information about possible HV terminal types are located in sheet 2.

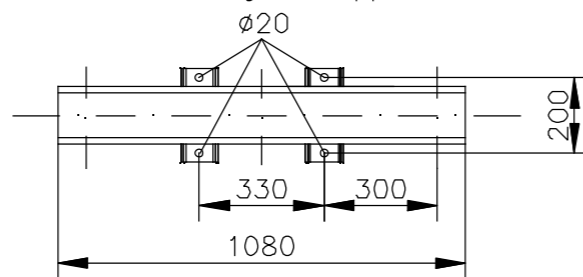


POGLED B  
VIEW B



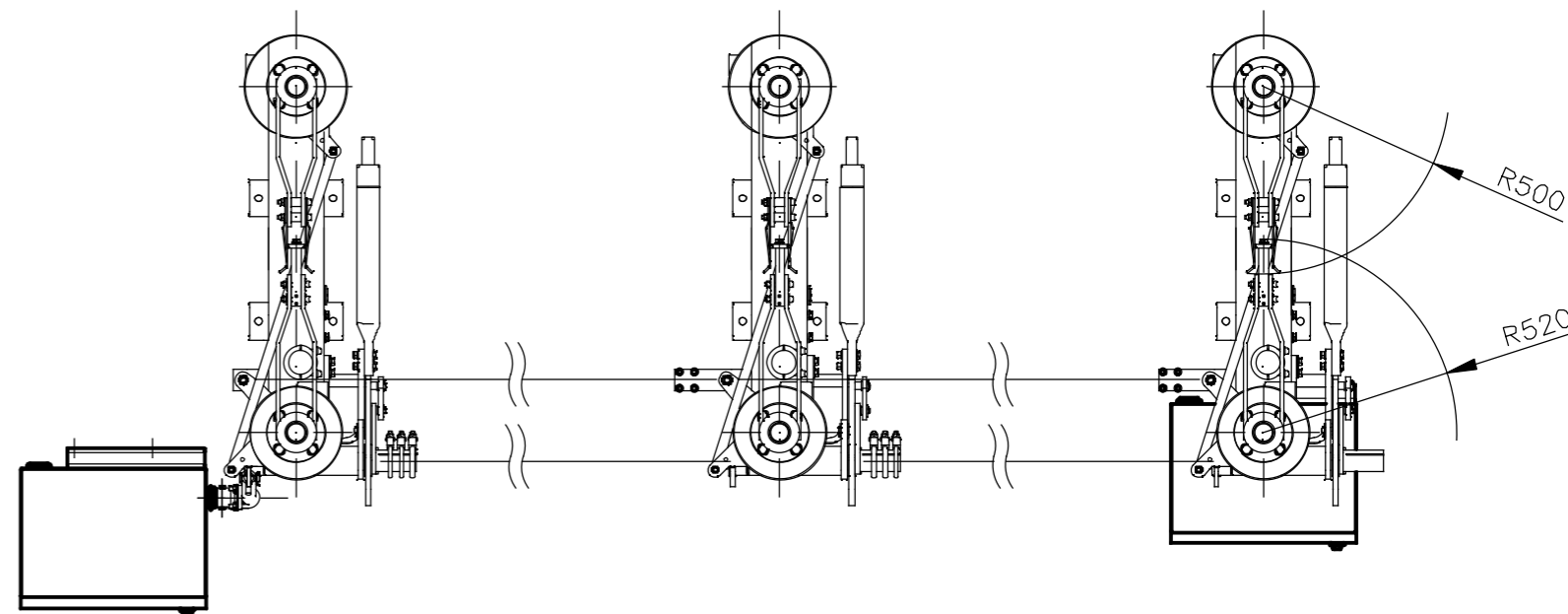
PRESJEK A-A  
SECTION A-A

Rupe za pričvršćenje postolja aparata  
Holes for affixing to support structure



Kružna zona kretanja pogonskog polužja  
Rotation zone of connecting lever assembly

Pozicioniranje osovine pogona u vertikalnoj osi poluge  
Output shaft positioning in vertical lever axis



Ovaj dokument ostaje u isključivom vlasništvu poduzeća KONČAR – APARATI I POSTROJENJA d.d. Pretisak i upotreba izvan namjene nisu dozvoljeni.

Rev.	Revision number	Date	Name	Date	06.2019.	Signature
				Made	ing. LULIĆ	
				Checked	ing. LULIĆ	
				Approved	ing. LULIĆ	

**KONČAR**  
Zagreb Croatia

TROPOLNI RASTAVLJAČ CBe-N2 72.5-III-25  
THREE-POLE DISCONNECTOR CBe-N2 72.5-III-25

3MS 695 25933

Sheet 1

Sheets 2

Skica prikazuje osnovne dimenzije aparata i pozicioniranje pogona u odnosu na aparat. Uz skicu dolaze i skica vertikalnog pogona 90° za rastavljač i skica horizontalnog pogona 180° za nož/noževu uzemljenja. Pogon rastavljača vertikalnog tipa je moguće izmaknuti ili rotirati (elevacija pogonske poluge do maks. 20°, 360° rotacija pogona u tlocrtu). Ako je potrebna pomoć kod projektiranja, obratiti se odjelu Prodaje.

Basic apparatus dimensions are shown in drawing, including positioning of drives. Drawings of vertical drive 90° for disconnecter and horizontal drive 180° for ES are part of basic documentation set.

Vertical drive type for disconnecter is possible to translate or rotate, (up to 20° elevation of drive connecting shaft, 360° angle in top view). If assistance needed with dimensioning, please contact our Sales dept.

Tip: Type:	CBe-N2 72.5-III-25
Ur	72.5 kV
Ir	do/up to 2500 A
Ith	do/up to 50 kA / 3 s
m	690 kg

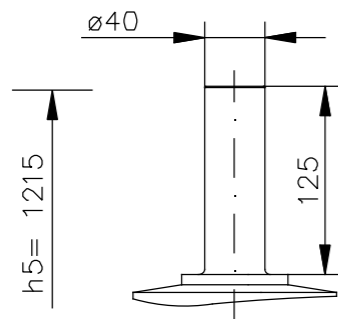
Tehnički podaci/Technical data	
1) Aparat sa VN svornjakom h5=1215, sa VN prirubnicom h5=1155 Apparatus with HV bolt terminal type h5=1215, with HV flange terminal type h5=1155	
2) VN priključnice tip prema zahtjevu (DETALJ C), vidi list 2 HV terminals type as ordered (DETAIL C), see sheet 2	
3) Razmak polova L, visina pogona H1 i podnožja aparata H prema zahtjevu Poles distance L, height of the apparatus base H and drive height H1 as ordered	
Pogoni: motorni ili ručni prema zahtjevu Drives: motor or manual operated, as ordered	
Opcionalno: Sustav za prespajanje sabirnica (1600 A/100 V), na zahtjev Option: Bus transfer device (1600 A/100 V), as ordered	
Potporna struktura nije predmet isporuke Support structure is not in scope of delivery	
Statička sila na priključku (bilo koji smjer) Static force at terminals (any direction)	1600 N
Dinamička sila na priključku (ovisna o izolatoru) Dynamic force at terminals (insulator dependent)	4800 N (C6) 8000 N (C10)

### VN PRIKLJUČNICE / HV TERMINALS

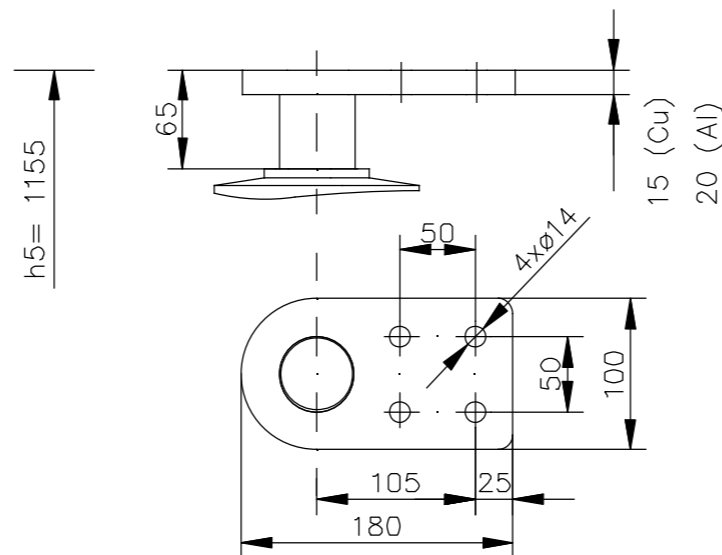
Visina VN priključka aparata h5 je varijabilna i ovisi o tipu VN priključka. Vidi tablicu tehničkih podataka, 1).  
Apparatus HV terminal height h5 vary depending on HV terminal type. See table technical data, 1).

#### DETALJ C DETAIL C

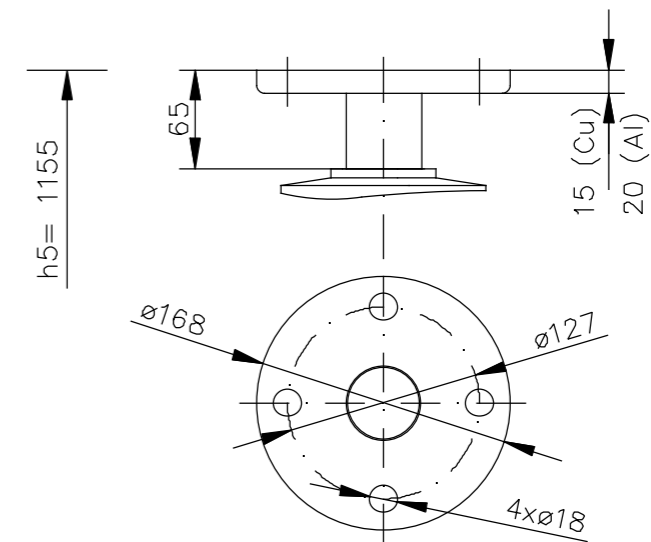
SVORNJAK/BOLT  
(Cu ili/or Al)



DIN46206 PRIRUBNICA/DIN46206 FLANGE  
(Cu ili/or Al)



PRIRUBNICA/FLANGE (KONČAR)  
(Cu ili/or Al)



Rev.	Revision number	Date	Name	Date	06.2019.	Signature
				Made	ing. LULIĆ	
				Checked	ing. LULIĆ	
				Approved	ing. LULIĆ	

**KONČAR**  
Zagreb Croatia

TROPOLNI RASTAVLJAČ CBe-N2 72.5-III-25  
THREE-POLE DISCONNECTOR CBe-N2 72.5-III-25

3MS 695 25933

Sheet 2  
Sheets 2