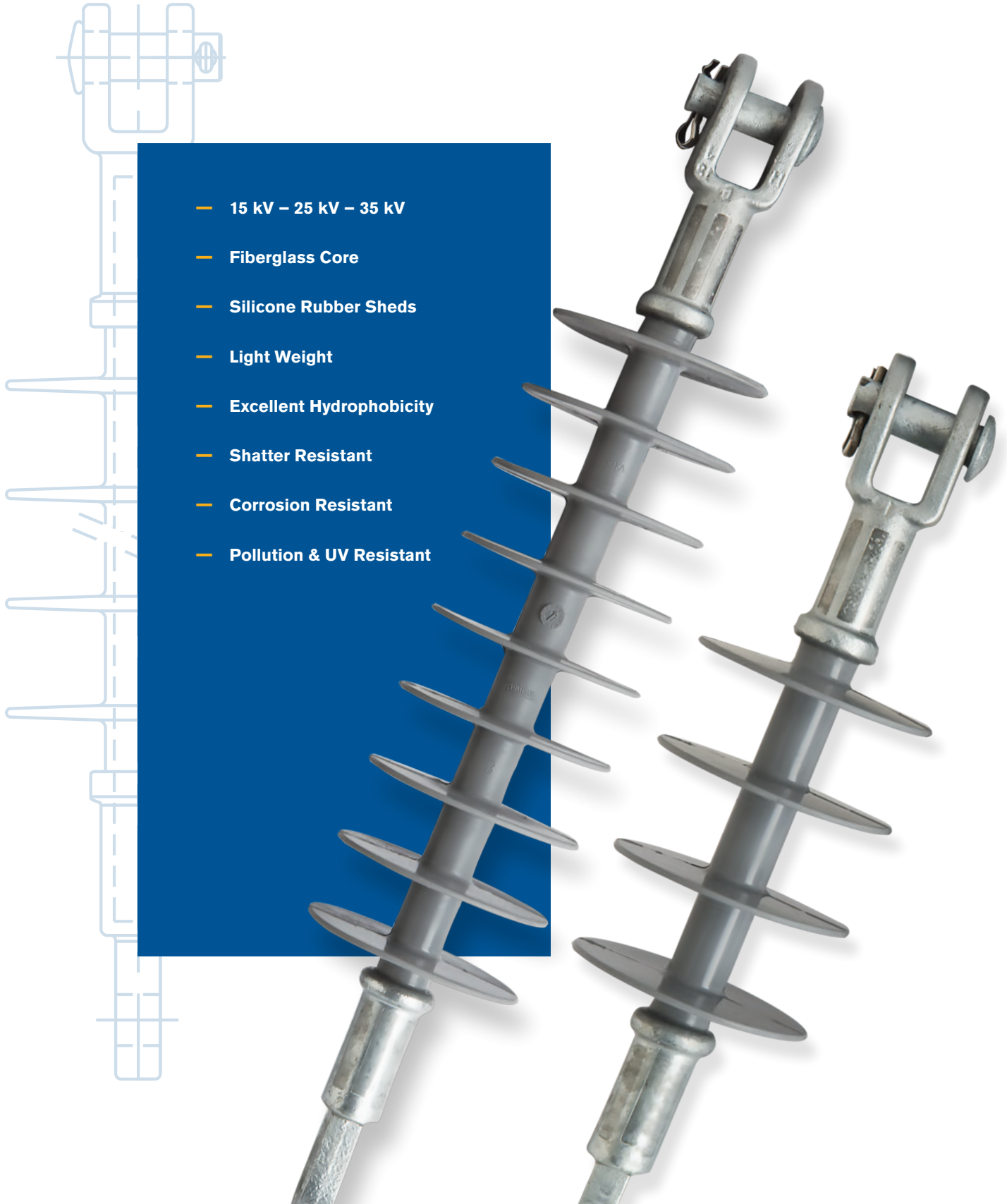


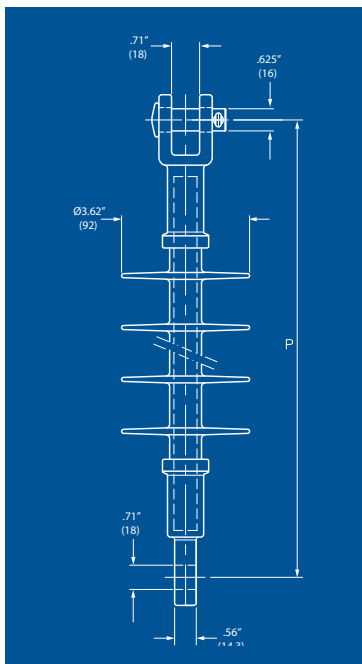
# Polymer Deadend Insulators

- 15 kV – 25 kV – 35 kV
- Fiberglass Core
- Silicone Rubber Sheds
- Light Weight
- Excellent Hydrophobicity
- Shatter Resistant
- Corrosion Resistant
- Pollution & UV Resistant



Catalog Number	PDEI-15	PDEI-25	PDEI-35
kV Rating	15 kV	25 kV	35 kV
<b>Dimensions (inches)</b>			
Leakage Distance	16.0" (400)	30.5" (775)	34.4" (875)
Arc Distance	7.9" (200)	12.2" (310)	13.4" (340)
P - Connection Length, Between Centers	12.5" (320)	17.0" (430)	18.3" (465)
D - Shed Diameter	3.62" (92)	3.62" (92)	3.62" (92)
Minimum Housing Thickness	0.118" (3)	0.118" (3)	0.118" (3)
Number of Sheds	4	8	9
<b>Mechanical Values</b>			
Mechanical Failing Load	15000 lbs.	15000 lbs.	15000 lbs.
<b>Electrical Values</b>			
Power Frequency Flashover Dry	90 kV	130 kV	145 kV
Power Frequency Flashover Wet (horizontal)	65 kV	100 kV	130 kV
CIFO (+)	140 kV	190 kV	250 kV
RIV (Test)	15 kV	20 kV	30 kV
RIV (Max)	< 10 $\mu$ V	< 10 $\mu$ V	< 10 $\mu$ V
<b>Radio Influence Low Frequency Test Voltage Data</b>			
Test Voltage, Rms to Ground, KV	10 kV	15 kV	22 kV
Maximum RIV at 1000 kHz - V	50 $\mu$ V	100 $\mu$ V	100 $\mu$ V
<b>Weight &amp; Packaging</b>			
Weight Per Carton	34.8 lbs.	41 lbs.	43.6 lbs.
Carton Quantity	15	15	15
Pallet Quantity	360	240	240

SML = 15,000 lbs. (70 kN)  
 RTL = 7,500 lbs. (35 kN)  
 Silicone Rubber  
 Corrosion resistant boron free fiberglass core, 16mm diameter  
 ANSI 52-4 Clevis and Tongue End Fittings



Type PDEI 15    Type PDEI 25    Type PDEI 35

